

框架式焊接绝热气瓶

Palletized cylinders

查特常州 **MEGA-CYL** 系列气瓶是带框架式的高真空低温绝热气瓶，属移动式容器，其容积有 390L 和 450L 两种，工作压力有中压(MP)和高压(HP)。框架式结构便于搬运，对气瓶也可起到保护作用。产品容积大，蒸发率低，可长时间保存液体，减少产品损失。

The **MEGA-CYL** series is Chart's line of palletized cylinders designed for easy transport with capacity 390 liters and 450 liters. Mega-Cyl cylinders are available in all services at 230psig(15.8barg) and 350psig(24barg) and are specifically designed to optimize distribution costs.



产品特征

- 全不锈钢结构，坚固、耐用
- 框架式结构，运输方便
- 高真空绝热保温
- 操作简单、方便
- 差压式液位计，精确、可靠

Product Highlights

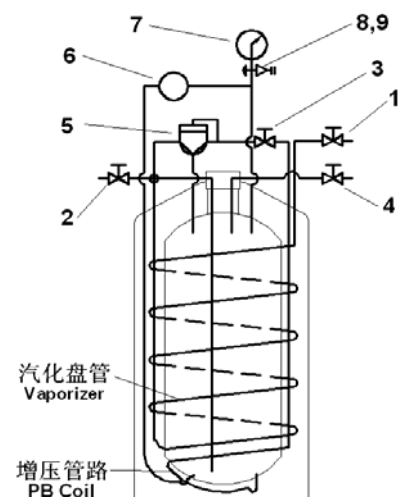
- Tough, Durable stainless steel construction
- Palletized cylinder for easy transport
- High-performance super insulation
- Easily accessible valves and gauges
- Accurate differential pressure contents gauge



配置释义

Nomenclature

- | | |
|----------|---|
| 1. 气相阀 | 1. Gas Use Valve |
| 2. 充装阀 | 2. Fill / Liquid Valve |
| 3. 增压阀 | 3. Pressure Control Valve |
| 4. 排放阀 | 4. Vent Valve |
| 5. 调压阀 | 5. Combination Pressure Control Regulator |
| 6. 差压液位计 | 6. Liquid Level Gauge |
| 7. 压力表 | 7. Pressure Gauge |
| 8. 安全阀 | 8. Relief Valve |
| 9. 爆破片 | 9. Rupture Disk |



规格特性表/Specifications

型号/Model		MC390MP MCR	MC390HP MCR	MC450MP MCR	MC450HP MCR	
尺寸/Dimensions	单位 Unit					
瓶体直径/Cylinder Diameter	厘米/cm	75	75	75	75	
瓶体高度/Cylinder Height	厘米/cm	141	141	156	156	
框架长度/Base Length	厘米/cm	86	86	86	86	
框架宽度/Base Width	厘米/cm	86	86	86	86	
框架高度/Base Height	厘米/cm	200	200	200	200	
瓶体空重/Empty Weight	公斤/kg	197	242	216	266	
框架重/Frame Weight	公斤/kg	164	164	164	164	
充装液体重量 Liquid Fill Weight	N ₂	公斤/kg	272	256	312	294
	O ₂	公斤/kg	470	445	539	511
	Ar	公斤/kg	/	394	/	452
	CO ₂	公斤/kg	/	372	/	427
技术指标/Technical Specifications						
安全阀设定压力 Relief Valve Setting	Psig/MPa	230/1.58	350/2.41	230/1.58	350/2.41	
日蒸发率(%每天) NER(per day %)	N ₂	1.84%	1.84%	1.80%	1.80%	
	O ₂ Ar	1.50%	1.50%	1.40%	1.40%	
	CO ₂	/	0.60%	/	0.50%	
几何容积/Gross capacity	升/Liter	390	390	450	450	
净容积/Net Capacity	升/Liter	371	371	428	428	
标况下气体体积/Standard Volume						
氮/N ₂	Nm ³	218	391	252	233	
氧/O ₂	Nm ³	262	253	302	292	
氩/Ar	Nm ³	251	246	289	284	
二氧化碳/CO ₂	Nm ³		197		227	
气流/Gas Flow						
N ₂ ,O ₂ ,Ar	Nm ³ /hr	15.1	15.1	15.1	15.1	
CO ₂	Nm ³ /hr		5.1		5.1	

查特深冷工程系统(常州)有限公司
 地址: 江苏省常州市新北区河海西路 388 号
 电话: 0519-8596 6058
 传真: 0519-8596 6001
 网址: www.chartchina.com

Chart Cryogenic Engineering Systems(Changzhou) Co. Ltd
 Address: No.388, Hehai Road, New District, Changzhou, China
 Tel: +86-519-8596 6058
 Fax: +86-519-8596 6001
 Website: www.chartchina.com



Innovation. Experience. Performance.™